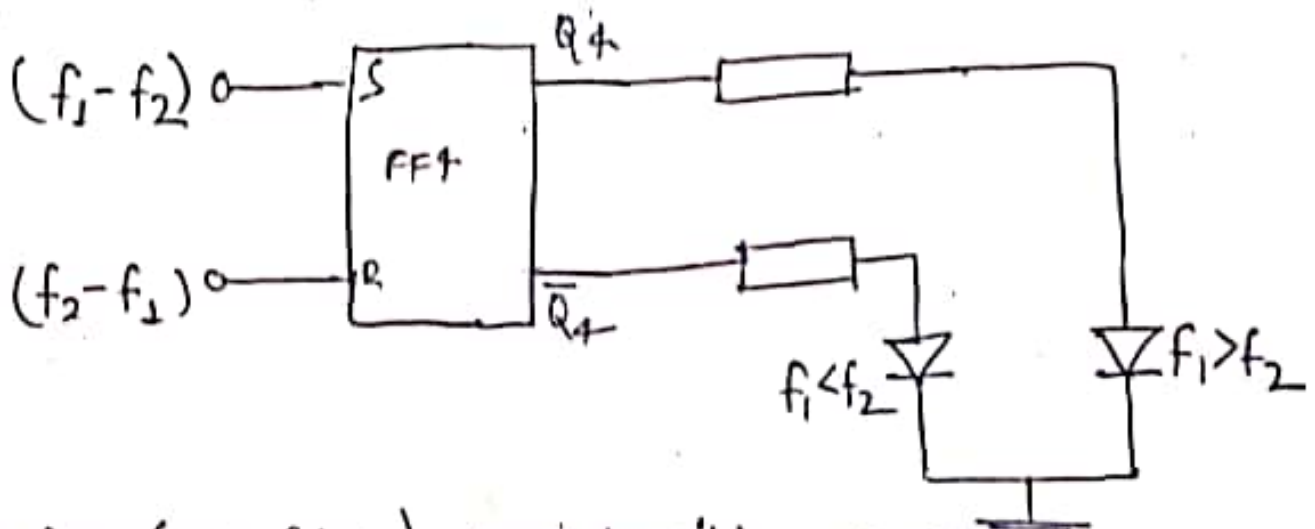
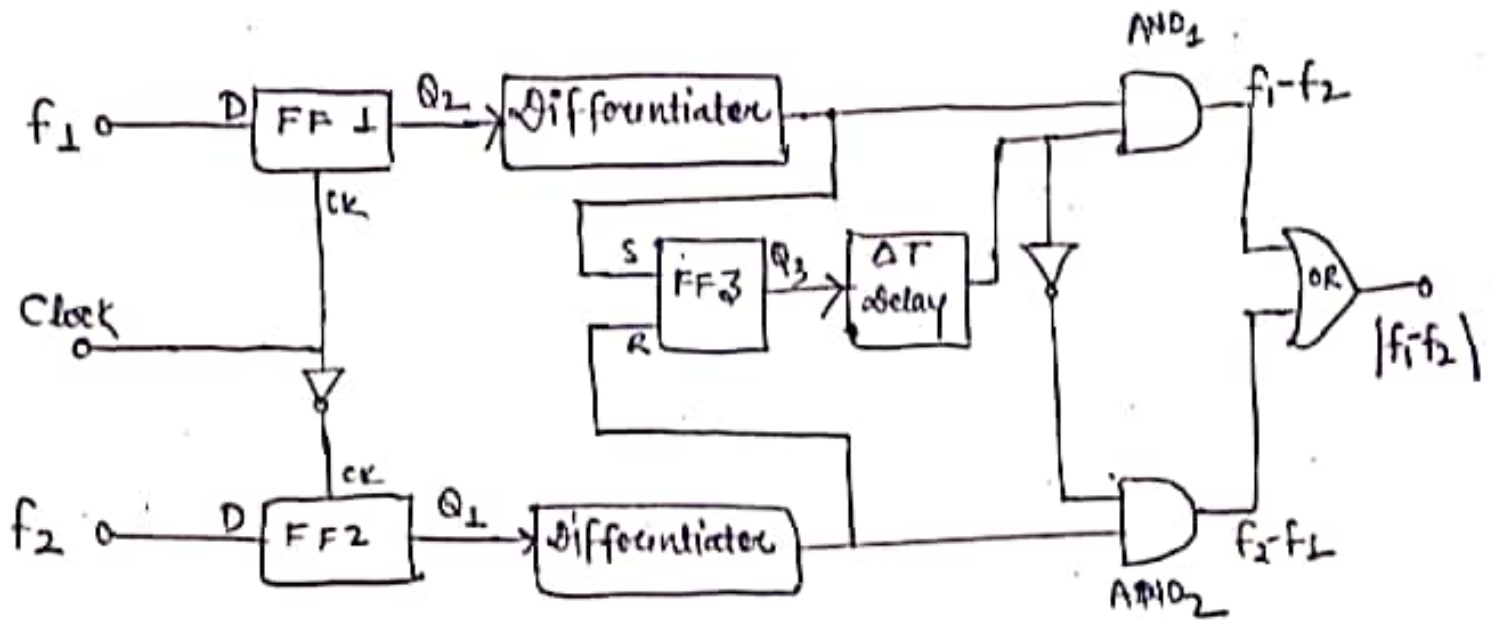


Average frequency difference Measurement ⑨



S-R flip flop (FF1 & FF2) make transition respectively on arrival of positive and negative edges of the clock pulses.

Differentiated Q_1 & Q_2 outputs set and reset FF3.

A delay of τ is introduced in Q_3 output. This delay (ΔT)